



ME 6-8C-10C

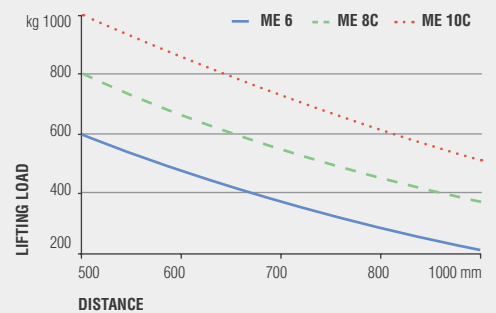
- Voltage 24V
- Traction motor AC
- Electronic lift control
- Cushion tyres
- Power steering
- Masts from 2900mm to 5700mm
- Integrated sideshifter
- AST 2737 mm

ME 8-10-12

- Voltage 36V
- Traction motor AC
- Electronic Lift Control
- Cushion tyres
- Power steering
- Masts from 2900mm to 5700mm
- Integrated sideshifter
- AST 2882 mm

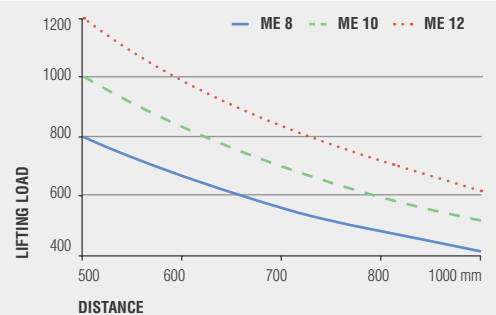
MAST DETAILS ME 6 - 8C - 10C

HEIGHT		STANDARD INCL. SIDE-SHIFT				DUPLEX INCL. SIDE-SHIFT				TRIPLEX INCL. SIDE-SHIFT		
Lifting	h_{23}	2900	3200	3800	4200	2900	3200	3800	4200	4350	4800	5700
Height mast collapsed	h_1	1908	2060	2360	2560	1908	2060	2360	2560	1908	2060	2360
Height mast extended	h_4	3420	3720	4320	4720	3420	3720	4320	4720	4870	5320	6220
Free lift	h_2	-	-	-	-	1479	1630	1930	2130	1479	1630	1930
Width ME 6 - ME 8C	b_1	805	805	870	870	805	805	870	870	870	870	905
Width ME 10C	b_1	850	850	915	915	850	850	915	915	915	915	950



MAST DETAILS ME 8-10-12

HEIGHT		STANDARD INCL. SIDE-SHIFT				DUPLEX INCL. SIDE-SHIFT				TRIPLEX INCL. SIDE-SHIFT		
Lifting	h_{23}	2900	3200	3800	4200	2900	3200	3800	4200	4350	4800	5700
Height mast collapsed	h_1	1930	2080	2380	2580	1930	2080	2380	2580	1930	2080	2380
Height mast extended	h_4	3420	3720	4320	4720	3420	3720	4320	4720	4870	5320	6220
Free lift	h_2	-	-	-	-	1480	1634	1935	2134	1480	1634	1935
Width ME 8 - ME 10	b_1	860	860	860	920	860	860	860	920	920	920	960
Width ME 12	b_1	890	890	890	950	890	890	890	950	950	950	990

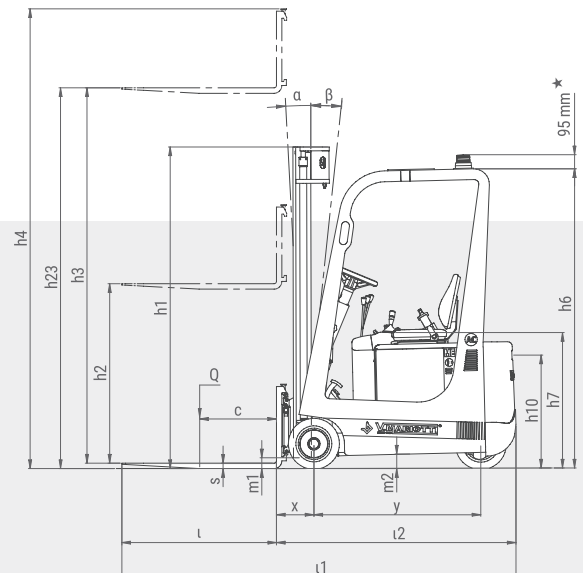
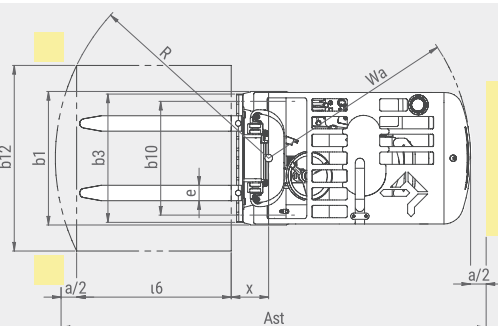


Data showed are not binding and are liable to variations.
The constructor reserves the right of changes without notice.

$a / 2 = 100 \text{ mm}$

★ On demand installation of the strobo light under the height of the overhead guard **h6**

In accordance with VDI Guideline 2198 this specification sheet provides details of the standard truck only. Non-standard tyres, different masts, optional equipment, etc. may result in different values.



	1.1		V.MARIOTTI S.r.l.			V.MARIOTTI S.r.l.					
	Manufacturer		ME 6	ME 8C	ME 10C	ME 8	ME 10	ME 12			
CHARACTERISTICS	1.2	Model									
	1.3	Type of drive		electric	electric	electric	electric	electric			
	1.4	Operator type		seated	seated	seated	seated	seated			
	1.5	Load capacity/rated load	Q	kg	600	800	1000	800	1000	1200	
	1.6	Load centre distance	c	mm	500	500	500	500	500	500	
	1.8	Load distance	x	mm	221 ●	221 ●	221 ●	242 ●	242 ●	242 ●	
	1.9	Wheel base min / max (adjustable)	y	mm	923 / 1005	923 / 1005	923 / 1005	1060 / 1143	1060 / 1143	1060 / 1143	
	WEIGHTS	2.1	Service weight incl. battery (see row 6.5)		kg	1400 ■	1550 ■	1910 ■	1790 ■	1900 ■	2150 ■
		2.2	Axle load, with load, front / rear		kg	1660 / 340	1970 / 380	2490 / 420	2160 / 430	2500 / 400	2890 / 460
2.3		Axle load, without load, front / rear		kg	590 / 810	610 / 940	740 / 1170	830 / 960	850 / 1050	870 / 1280	
WHEELS	3.1	Tyres: Superelastic (SE), Cushion (V)			V	V	V	V	V	V	
	3.2	Tyre size front		mm	300x120x203	300x120x203	300x145x203	330x127x203	330x127x203	330x152x203	
	3.3	Tyre size rear		mm	300x120x203	300x120x203	300x145x203	330x127x203	330x127x203	330x152x203	
	3.5	Wheels, number front/rear (◆ = driven wheels)			2 / 1 ◆	2 / 1 ◆	2 / 1 ◆	2 / 1 ◆	2 / 1 ◆	2 / 1 ◆	
	3.6	Track width, front	b ₁₀	mm	687	687	706	736	736	741	
	DIMENSIONS	4.1	Tilt of mast/fork carriage forward/backward	α/β	<°	2° 40' / 5° 30'	2° 40' / 5° 30'	2° 40' / 5° 30'	2° 40' / 5° 50'	2° 40' / 5° 50'	2° 40' / 5° 50'
4.2		Collapsed mast height	h ₁	mm	1908	1908	1908	2090	2090	2090	
4.3		Free lift	h ₂	mm	\	\	\	\	\	\	
4.4		forks lifting	h ₃	mm	2870	2870	2870	3165	3165	3165	
		Lifting height	h ₂₃	mm	2900	2900	2900	3200	3200	3200	
4.5		Height mast extended	h ₄	mm	3420	3420	3420	3720	3720	3720	
4.7		Height of overhead guard	h ₅	mm	1890	1890	1890	1937	1937	1937	
4.8		Seat height	h ₇	mm	850	850	850	930	930	930	
4.12		Coupling height	h ₁₀		700	700	700	730	730	730	
4.19		Overall length	l ₁		2198	2198	2198	2545	2545	2545	
4.20		Length including back of forks	l ₂	mm	1398 ●	1398 ●	1398 ●	1545 ●	1545 ●	1545 ●	
4.21		Overall width	b ₁	mm	805	805	850	860	860	890	
4.22		Fork dimensions	s/e/l	mm	30x80x800	30x80x800	30x80x800	35x100x1000	35x100x1000	35x100x1000	
4.23		Forks carriage ISO 2328, Class/form A, B			ISO II/A	ISO II/A	ISO II/A	ISO II/A	ISO II/A	ISO II/A	
4.24		Forks carriage width	b ₃	mm	786	786	786	830	830	830	
4.31		Floor clearance with load under mast	m ₁	mm	60	60	60	80	80	80	
4.32		Floor clearance centre wheelbase	m ₂	mm	68	68	68	92	92	92	
4.33		Aisle width for pallets 1000 × 1200 sideways	A _{st}	mm	2737	2737	2737	2882	2882	2882	
4.34		Aisle width for pallets 800 × 1200 lengthways	A _{st}	mm	2853	2853	2853	2999	2999	2999	
4.35		Turning radius	W ₃	mm	1177 ▲	1177 ▲	1177 ▲	1303 ▲	1303 ▲	1303 ▲	
PERFORMANCE		5.1	Driving speed with/without load		km/h	7,5 / 7,8	7,5 / 7,8	7,2 / 7,8	8,5 / 9,0	8,5 / 9,0	8,0 / 8,5
		5.2	Lifting speed with/without load		m/s	0,240 / 0,298	0,220 / 0,298	0,210 / 0,298	0,25 / 0,36	0,24 / 0,36	0,22 / 0,36
		5.3	Lowering speed with/without load		m/s	0,39 / 0,35	0,40 / 0,35	0,43 / 0,35	0,41 / 0,35	0,43 / 0,35	0,45 / 0,35
	5.6	Max. drawbar pull, with/without load		N	1500 / 1700	1400 / 1600	1300	3200 / 3300	3100 / 3250	3100 / 3200	
	5.7	Gradeability, with/without load		%	15 / 18	13 / 18	9 / 15	15 / 18	13 / 16	10 / 15	
	5.8	Max Gradeability, with/without load		%	20 / 23	18 / 22	16 / 20	20 / 25	20 / 25	18 / 22	
	5.10	Service brake			hydraulic	hydraulic	hydraulic	hydraulic	hydraulic	hydraulic	
ELECTRIC SYSTEM	6.1	Driving motor rating S2 60 min.		kW	2	2	2	3	3	3	
	6.2	Lifting motor rating at S3 20%		kW	3	3	3	4,5	4,5	4,5	
	6.4	Battery voltage/nominal capacity K5		V/Ah	24/270 - 24/500	24/270 - 24/500	24/500	36/270 - 36/500	36/270 - 36/500	36/375 - 36/500	
	6.5	Battery weight		kg	265 ■ - 390	265 ■ - 390	390 ■	365 ■ - 570	365 ■ - 570	460 ■ - 570	
	8.1	Type of drive control			AC MOSFET	AC MOSFET	AC MOSFET	AC MOSFET	AC MOSFET	AC MOSFET	
OTHER	8.2	Working pressure for attachments		bar	90	140	165	115	140	185	
	8.4	Sound pressure level at operator's ear		db(A)	-	-	-	-	-	-	

- ▲ with mast in vertical position
● included side-shift

In accordance with VDI Guideline 2198 this specification sheet provides details of the standard truck only. Non-standard tyres, different masts, optional equipment, etc. may result in different values.

