

↕ IRION LANCER → JUMBO

**bulmor**  
*strong sideloader solutions*



Technical  
Information

**Electric  
Sideloader  
EQ 60-80**

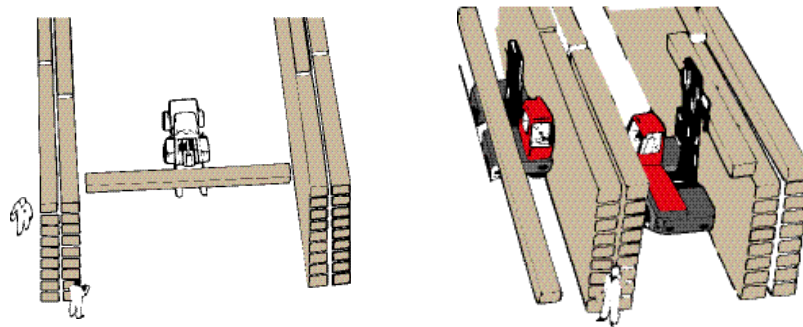




# E Sideloaders lifting 6-8 tons

**Designed for heavy loading** due to its solid steering axle and centrepiece construction.

This category of Bulmor Sideloaders lifts loads of all kinds of up to 8 tons. In addition to the benefits of its diesel-powered brothers, this series impresses with following characteristics: electric, silent and environmentally friendly.



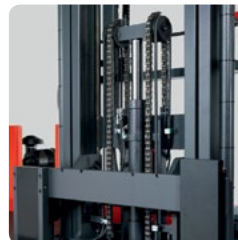
## FACTS

Lifting capacity	6 to 8 tons
Engine	Electric
Drive	hydrostatic
platform height	970 mm*
Platform widths	from 1.100 mm
Lifting heights	up to 8.000 mm

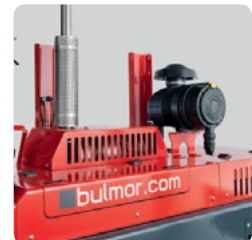
\* with wooden platform



Intended front wheel for narrow turning radius with maximum steering angle

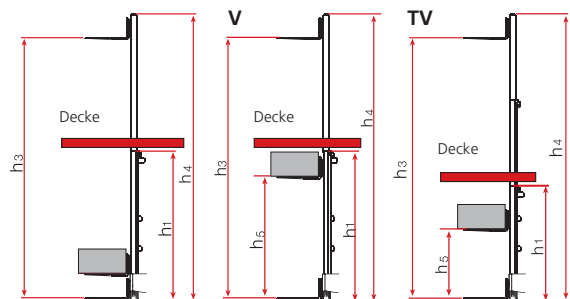


Solid lifting mast



Big service flaps for easy maintainability

# E-Sideloader EQ 60-80



## Mast Matrix Electric-Sideloader 6 to. & 7-8 to.

mast fully lowered, mast fully extended, free lift

### EQ 60 // EQ 70-80 \*

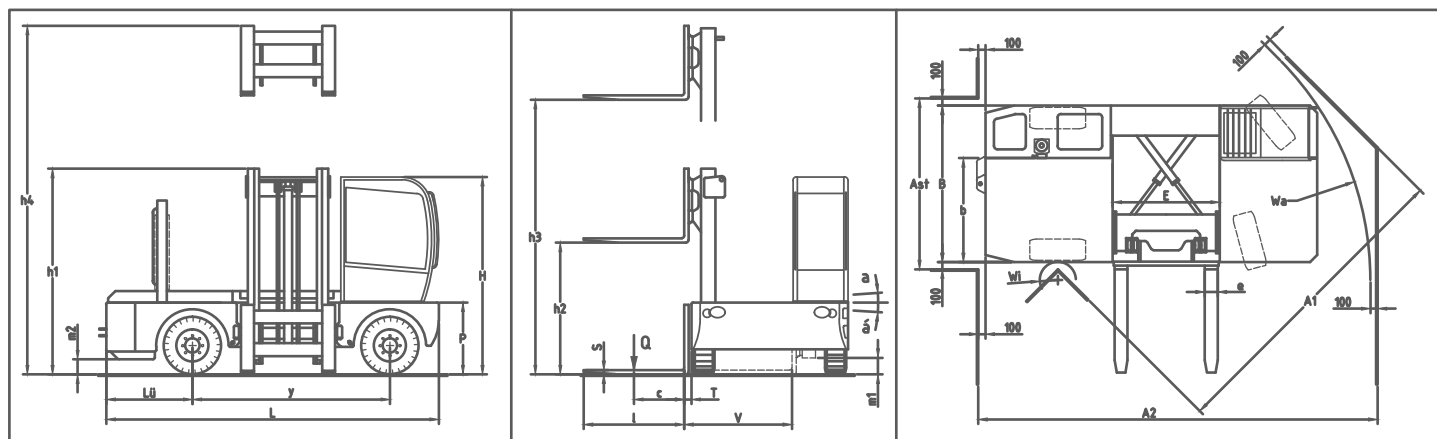
	Lift height (h3)	Height lowered (h1)	Height extended (h4) **	Free lift (h5) **
Duplex-Mast without freelif	4000	2890	4970 // 5140	0
	4500	3140	5470 // 5640	0
	5000	3390	5970 // 6140	0
	5500	3640	6470 // 6640	0
	6000	3890	6970 // 7140	0
Duplex- Freelif-Mast	4000	2940 // 2950	4970 // 5140	1970 // 1810
	4500	3190 // 3200	5470 // 5640	2220 // 2060
	5000	3440 // 3450	5970 // 6140	2470 // 2310
	5500	3690 // 3700	6470 // 6640	2720 // 2560
	6000	3940 // 3950	6970 // 7140	2970 // 2810
Triplex-Mast	4500	2540 // 2550	5470 // 5640	1570 // 1405
	5000	2700 // 2710	5970 // 6140	1730 // 1565
	5500	2870 // 2880	6470 // 6640	1900 // 1735
	6000	3040 // 3050	6970 // 7140	2070 // 1905
	6500	3200 // 3210	7470 // 7640	2230 // 2065
	7000	3370 // 3380	7970 // 8140	2400 // 2235
	7500	3540 // 3550	8470 // 8640	2570 // 2405
8000	3700 // 3710	8970 // 9140	2730 // 2565	

\* ... and identical types in construction

\*\* ... with standard carriage

### LIFTING CAPACITY EQ 60 // EQ 70 // EQ 80

Platform width (mm)	Lift height (mm)								
	4	4,5	5	5,5	6	6,5	7	7,5	8
1200	6000/7000/8000	5950/6770/7540	5640/6430/7180	5400/6100/6820	5090/5850/6550	4870/5530/6210	4580/5290/5870	4360/4980/5620	4150/4750/5300
1400	6000/7000/8000	6000/7000/7780	5870/6710/7420	5560/6380/7060	5330/6050/6800	5030/5810/6450	4810/5490/6120	4530/5260/5790	4320/4960/5550
1600	6000/7000/8000	6000/7000/8000	6000/7000/7710	5710/6680/7350	5480/6420/7000	5180/6090/6660	4960/5780/6330	4740/5540/6000	4460/5230/5680



## Manufacturer specifications and quality characteristics

Characteristics	1	Manufacturer			Bulmor industries GmbH				
	2	Type	manufacturer's type designation		EQ 60/14 (12)	EQ 70/14 (12)	EQ 80/14 (12)		
	3	Lifting capacity	Q	without stabilisers	t	6	7	8	
	4	Load centre	c	distance	mm	700 (600)	700 (600)	700 (600)	
	5	Drive	diesel, LPG, electro			electro			
	6	Operator position				seated			
	7	Type of steering	V-solid rubber, L-pneumatic, front/rear			L / L	L / L	L / L	
	8	Wheels	number front/rear (X= drive wheels)			2/2X	2/2X	2/2X	
Dimensions	9	Lift	h3	lift height	mm	4000	4000	4000	
	10		h2	free lift	mm	None	None	None	
	11	Fork carriage	fork spread			mm	360 - 1420	360 - 1420	400 - 1420
	12	Fork dimensions	W/D/L			mm	60/180/1400 (1200)	60/180/1400 (1200)	60/200/1400 (1200)
	13	Tilt of mast	forward/backward			degree	±3,6° (±4,5°)	±3,6° (±4,5°)	±3,6° (±4,5°)
	14	Overall dimensions	L	Overall length	mm	4650	4650	4650	
	15		B	Overall width	mm	2230 (2030)	2230 (2030)	2230 (2030)	
	16		h1	height, mast lowered	mm	2890	2890	2890	
	17		h4	height, mast extended	mm	4970	5140	5140	
	18	Platform	H	overall height cabin	mm	2780	2780	2780	
	19		b	platform width	mm	1400 (1200)	1400 (1200)	1400 (1200)	
	20		E	well width	mm	1500	1500	1500	
	21	Mast reach	P	platform height	mm	970*	970*	970*	
	22		T	fork face standout	mm	100	100	100	
	23	Overhang length	V	traverse stroke	mm	1500 (1300)	1500 (1300)	1500 (1300)	
	24		Lü		mm	975	975	975	
	25	Turning radius	outer/inner			mm	4640 (4520)/660	4640 (4520)/660	4640 (4520)/660
	26	Aisle width	Ast	for driving straight line	mm	2430 (2230)	2430 (2230)	2430 (2230)	
	27		A1	for 90° turning	mm	4380 (4260)	4380 (4260)	4380 (4260)	
	28		A2	for 90° turning within aisle	mm	5810 (5690)	5810 (5690)	5810 (5690)	
	Performance	29	Speed	travel speed with/without load		km/h	19/20	19/20	19/20
		30		lift speed with 80% max. load/without load		m/s	0,2/0,3	0,2/0,3	0,2/0,3
		31		lowering speed with/without load		m/s	0,55/0,25	0,55/0,25	0,55/0,25
		32		traverse speed		m/s	0,25	0,25	0,25
33		Drawbar pull				daN	3050-3850**	3050-3850**	3050-3850**
34	Gradeability	with/without load			%	15-19/24-32**	14-18/23-31**	12-17/22-30**	
Weight	35	Machine weight	without load			kg	11800 (11500)	12200 (11900)	12900 (12450)
	36	laden weight	front axle			kg	7100 (6950)	7850 (7700)	8900 (8600)
	37	laden weight	rear axle			kg	10700 (10550)	11350 (11200)	12000 (11850)
Chassis	38	Tyres	number front/rear			Stk.	2/2	2/2	2/2
	39		dimension front				355/65-15	XZM 355/65-15	XZM 355/65-15
	40		dimension rear				355/65-15	XZM 355/65-15	XZM 355/65-15
	41	Wheelbase	y			mm	2920	2920	2920
	42	Track	front/rear			mm	1800/1860 (1600/1660)	1800/1860 (1600/1660)	1800/1860 (1600/1660)
	43	Ground clearance	with load m1 below mast			mm	230	230	230
	44		with load m2 mid wheelbase			mm	180	180	180
45	Service brake	front/rear			- / hydr. multiple disk brake				
Transmission	46	Parking brake	rear			electric hydraulic			
	47	Battery	quantity / type			1 / 8 PzS			
	48		voltage/capacity			V/Ah	80 / 1120 - 1240		
	49	Drive motor	rated capacity S2-60min			kW	2 x 19		
	50	Motor for hydraulics	rated capacity S3-15%			kW	32		
	51	Type of control	AC=synchron technology, DC-technology			AC			
	52	Inverter	drive- / hydraulic drive			2x Zapi ACE-3 Power / 1x Zapi AC-3 Power			
	53	Recuperation	braking energy / lift energy			optional / optional			
	54	Battery	minimum weight			kg	2950		
	55	Stability				ISO 22915			

Technical changes reserved. \* with wooden platform

01.05.2015 Rev.0





Timber, steel, aluminium, tubes etc. - our machines master all kinds of operations in most diverse industries.



References and applications



**Glued laminated timber  
profiles  
pipes  
steel**

Our machines handle any long  
and heavy material.  
We offer comfortable and  
safe handling of goods.

In the field of sideloaders and multidirectional sideloaders, Bulmor is the specialist in creating perfect solutions for each individual customer. Our products' profound quality coupled with robustness and safety makes us the ideal and reliable business partner.

Our bespoke sideloaders and multidirectional sideloaders are designed and produced in Bulmor's Upper-Austrian headquarters and excel through innovation, customer benefit, durability and great availability. As a matter of course, our machines are operated in the whole world, in different industries, from plastics and timber to concrete and steel applications.



- Sideloaders
- Multidirectional Sideloaders
- Ground Support Equipment

**Head office Austria**  
Bulmor industries GmbH  
Kickenau 1  
A-4320 Perg

t +43 7262 58397-0  
f +43 7262 52297-11  
e info@bulmor.com

**Branch office Germany**  
Bulmor Deutschland GmbH  
Hurststraße 2  
D-77815 Bühl

**Branch office UK**  
Bulmor Lancer Ltd.  
Chartmoor Road  
Leighton Buzzard

