

↕ **IRION** **LANCER** **JUMBO**

bulmor
strong sideloader solutions



Technical
Information

**Multidirectional-
Sideloaders
EMSII 40-45**





Multidirectional sideloaders with **single-piece frame**

- Ideal for high lift heights
- The mast stays vertical even on uneven grounds
- At high lift heights, the deflection of the mast can be compensated by tilting the frame
- Hydraulic system



Timber, steel, aluminium, tubes etc. -
our machines master all kinds of operations in
most diverse industries.



References and
applications



Fourway-Sideloader EMSII 40-45

80V with Vulkollan® tyres

Typ			EMSII 40	EMSII 45
Lifting Capacity	Q	kg	4000	4500
Load centre	c by NB = 1200	mm	600	
Width GT	Vn rated dimension cassis back to face of fork	mm	850	
Width BGTs	Ve effective dimension cassis back to face of fork	mm	1000	
Useable width with GT	NB = B - Vn	mm	1200	
Useable width with BGTs	NB = B - Ve	mm	1050	
Mast traverse GT	V = NB + 100	mm	1300	
Overall Dimensions				
Total length	L	mm	3100	
Total length over cabin	Lk (Standard cabin QK8x6,7)	mm	3100	
Useable platform	NB	mm	800 - 2150	
Total width	B (NB = 800)	mm	1650	
Aisle width	AST (B = 1650)	mm	1850	
Platform height	P	mm	400	
Well width	E	mm	1600	
Ground clearance	m (under mast)	mm	100	
Cabin height	H (Standard cabin QK8x6,7)	mm	2620	
Lift height	h3 (Rated lift height)	mm	3500	
Total width	by B = 1750 / 2150 / 2550	°	±1 / ±0,82 / ±0,67	
Horizontal mast correction	by h3=6000 & B = 1750 / 2150 / 2550	mm	±110 / ±85 / ±70	
Fork Carriage				
Fork distance outer edge to outer edge GT	GTL	mm	1460	
Fork distance GT	AK - AK	mm	420 - 1460	
Fork distance outer edge to outer edge BGTs	GTL	mm	3800	
Fork distance BGTs	AK - AK	mm	420 - 3800	
Tilting fork carriage	+ = up / - = down	°	±5°	
Weights				
Weight including battery	B=1950; 3,5m Duplex; GT; 4PzS	kg	6000	6400
Weight including battery & rated load		kg	10000	10900
Stability	ISO 22915-7		ja	
Battery				
Voltage		V	80	
Capacity		Ah	620 / 775	
Drive				
Drive motor	AC - Technology	kW	2 x 7	
Working hydraulics		kW	2 x 12	
Vulkollan® tyres / Dimension				
Wheels	Number driven / load side (x=driven)		2x / 4	
Drive wheels	Diameter x Width	mm	ø406 x 178	
Load wheels	Diameter x Width	mm	ø285 x 100	
Spec. Ground pressure	Driving side / load side (ready to drive on load)	N/cm²	365 / 400	370 / 420
Steering / brakes				
Steering	Multidirectional steering standard 12-steering programs		electrohydraulic	
Service brake I	Activation by accelerator release		regenerative	
Service brake II	Activation by operating brake pedal		proportional counter-current braking	
Park-/Parking brake			electromagnetically released sprung-applied brake	
Working Pressure	For Attachement	bar	185	

Fourway-Sideloader EMSII 40-45

80V with Super Elastic Tyres

Typ			EMSII 40	EMSII 45
Lifting Capacity	Q	kg	4000	4500
Load centre	c by NB = 1200	mm		600
Width GT	Vn rated dimension cassis back to face of fork	mm		850
Width BGTs	Ve effective dimension cassis back to face of fork	mm		1000
Useable width with GT	NB = B - Vn	mm		1200
Useable width with BGTs	NB = B - Ve	mm		1050
Mast traverse GT	V = NB + 100	mm		1300
Overall Dimensions				
Total length	L	mm		3300
Total length over cabin	Lk (Standard cabin QK8x6,7)	mm		3300
Useable platform	NB	mm		800 - 2150
Total width	B (NB = 800)	mm		1650
Aisle width	AST (B = 1650)	mm		1850
Platform height	P	mm		500
Well width	E	mm		1600
Ground clearance	m (under mast)	mm		100
Cabin height	H (Standard cabin QK8x6,7)	mm		2620
Lift height	h3 (Rated lift height)	mm		3500
Total width	by B = 1750 / 2150 / 2550	°		±1,15 / ±0,86 / ±0,67
Horizontal mast correction	by h3=6000 & B = 1750 / 2150 / 2550	mm		±120 / ±90 / ±70
Fork Carriage				
Fork distance outer edge to outer edge GT	GTL	mm		1460
Fork distance GT	AK - AK	mm		420 - 1460
Fork distance outer edge to outer edge BGTs	GTL	mm		4200
Fork distance BGTs	AK - AK	mm		420 - 4200
Tilting fork carriage	+ = up / - = down	°		±5°
Weights				
Weight including battery	B=1950; 3,5m Duplex; GT; 4PzS	kg	6200	6550
Weight including battery & rated load		kg	10200	11050
Stability	ISO 22915-7			ja
Battery				
Voltage		V		80
Capacity		Ah		620 / 775
Drive				
Drive motor	AC - Technology	kW		2 x 7
Working hydraulics		kW		2 x 12
Super Elastic Tyres / Dimension				
Wheels	Number driven / load side (x=driven)			2x / 4
Drive wheels	Diameter x Width	mm		ø457 x 203
Load wheels	Diameter x Width	mm		ø406 x 152
Spec. Ground pressure	Driving side / load side (ready to drive on load)	N/cm ²	130 / 100	135 / 115
Steering / brakes				
Steering	Multidirectional steering standard 12-steering programs			electrohydraulic
Service brake I	Activation by accelerator release			regenerative
Service brake II	Activation by operating brake pedal			proportional counter-current braking
Park-/Parking brake				electromagnetically released sprung-applied brake
Working Pressure	For Attachment	bar		185

01.05.2015

Mast Data

EMSII 40-45 Duplex (D)				
Lift Height	Height			Fee-Lift
	Closed Height	Extended GT	Extended BGTs	
h3	h1	h4	h4	h2
3500	2600	4280	4640	600
4000	2850	4780	5140	600
4500	3100	5280	5640	600
5000	3350	5780	6140	600
5500	3600	6280	6640	600
6000	3850	6780	7140	600

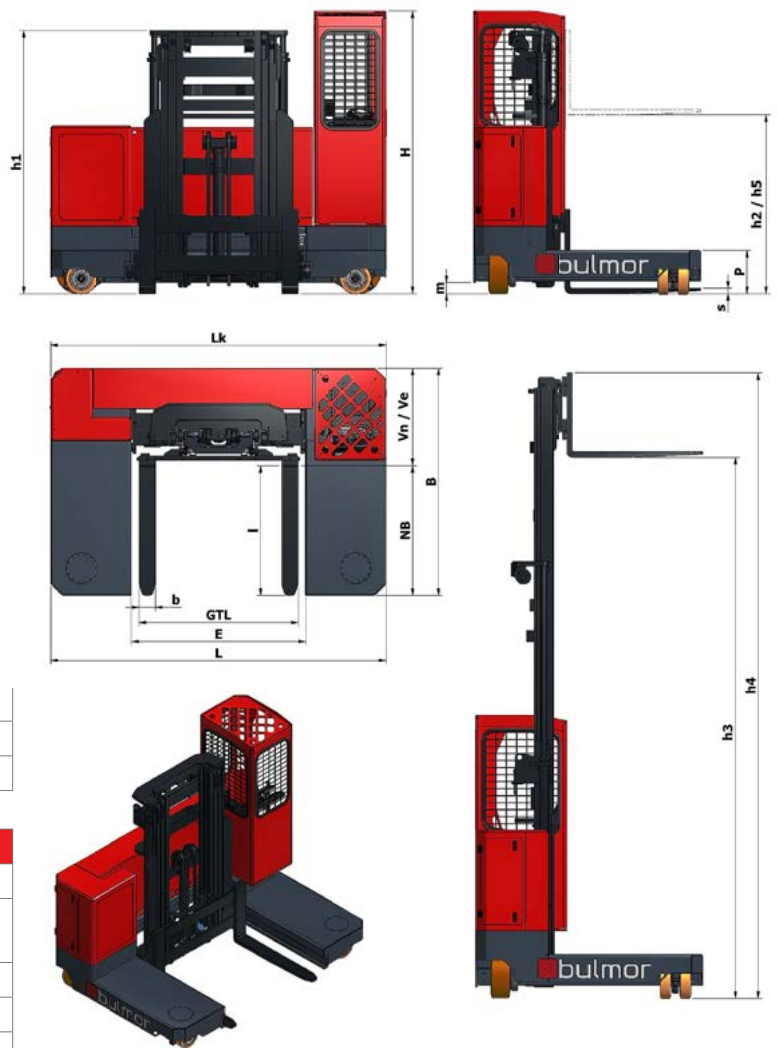
EMSII 40-45 Duplex Full free lift mast (V)					
Lift Height	Height			Fee-Lift	
	Closed Height	Extended GT	Extended BGTs	GT	BGTs
h3	h1	h4	h4	h5	h5
3500	2500	4280	4640	1720	1360
4000	2750	4780	5140	1970	1610
4500	3000	5280	5640	2220	1860
5000	3250	5780	6140	2470	2110
5500	3500	6280	6640	2720	2360
6000	3750	6780	7140	2970	2610

EMSII 40-45 Triplex Full free lift mast (T)					
Lift Height	Height			Fee-Lift	
	Closed Height	Extended GT	Extended BGTs	GT	BGTs
h3	h1	h4	h4	h5	h5
5000	2430	5780	6140	1650	1290
5500	2597	6280	6640	1817	1457
6000	2764	6780	7140	1984	1624
6500	2931	7280	7640	2151	1791
7000	3098	7780	8140	2318	1958
7500	3265	8280	8640	2485	2125
8000	3432	8780	9140	2652	2292

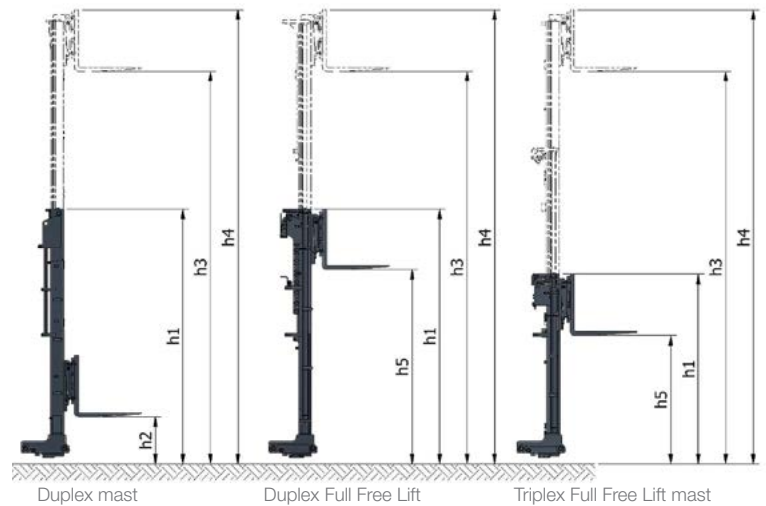
Forks

Type	Cross section	Length			
		1000	1200	1400	1600
EMSII 40	b / s	150 / 45	150 / 50	150 / 50	180 / 50
EMSII 45	b / s	150 / 45	150 / 50	180 / 50	150 / 60

Standard-Fork Carriage



Mast Dimensions



LIFTING CAPACITIES EMSII 40 / EMSII 45

Platform-width (mm)	Lifting Height (mm)									
	3,5	4	4,5	5	5,5	6	6,5	7	7,5	8
1200	4000/4500	3860/4350	3730/4200	3600/4050	3460/3900	3330/3740	3200/3600	a.A.	a.A.	a.A.
1400	4000/4500	3880/4370	3770/4240	3650/4110	3540/3980	3420/3850	3310/3720	3190/3590	3080/3460	a.A.
1600	4000/4500	4000/4500	3870/4350	3740/4200	3610/4060	3480/3910	3340/3760	3210/3620	3080/3470	2960/3330

**Glued laminated timber
profiles
pipes
steel**

Our machines handle any long and heavy material.
We offer comfortable and safe handling of goods.

In the field of sideloaders and multidirectional sideloaders, Bulmor is the specialist in creating perfect solutions for each individual customer. Our products' profound quality coupled with robustness and safety makes us the ideal and reliable business partner.

Our bespoke sideloaders and multidirectional sideloaders are designed and produced in Bulmor's Upper-Austrian headquarters and excel through innovation, customer benefit, durability and great availability. As a matter of course, our machines are operated in the whole world, in different industries, from plastics and timber to concrete and steel applications.

Machinery Tradition since 1879



- Sideloaders
- Multidirectional Sideloaders
- Ground Support Equipment



Head office Austria
Bulmor industries GmbH
Kickenau 1
A-4320 Perg

t +43 7262 58397-0
f +43 7262 52297-11
e info@bulmor.com

Branch office Germany
Bulmor Deutschland GmbH
Hurststraße 2
D-77815 Bühl

Branch office UK
Bulmor Lancer Ltd.
Chartmoor Road
Leighton Buzzard

