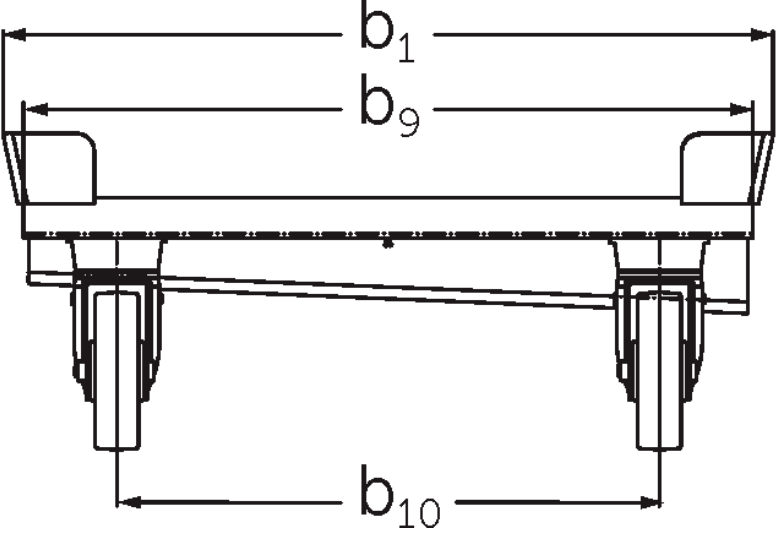
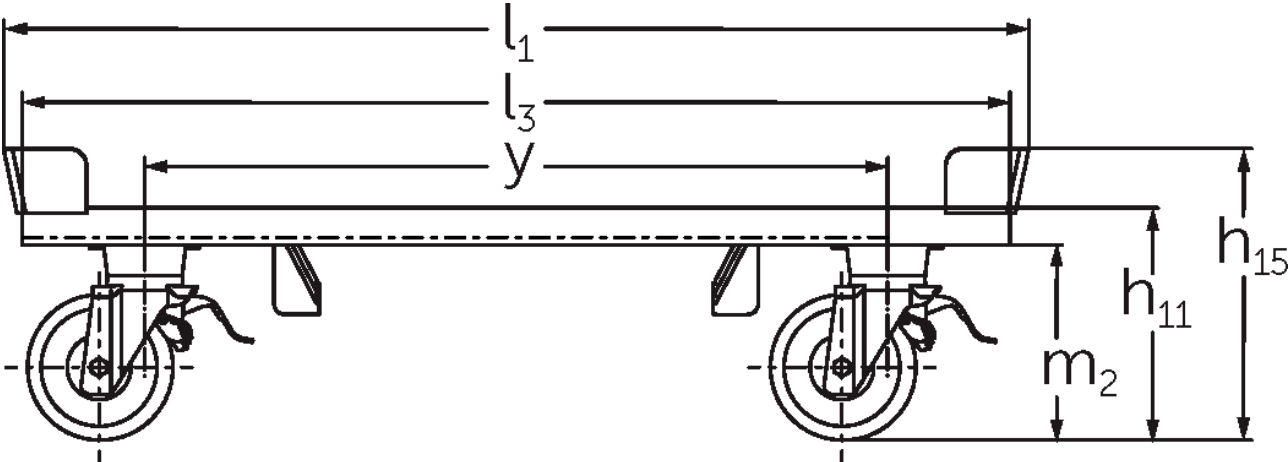


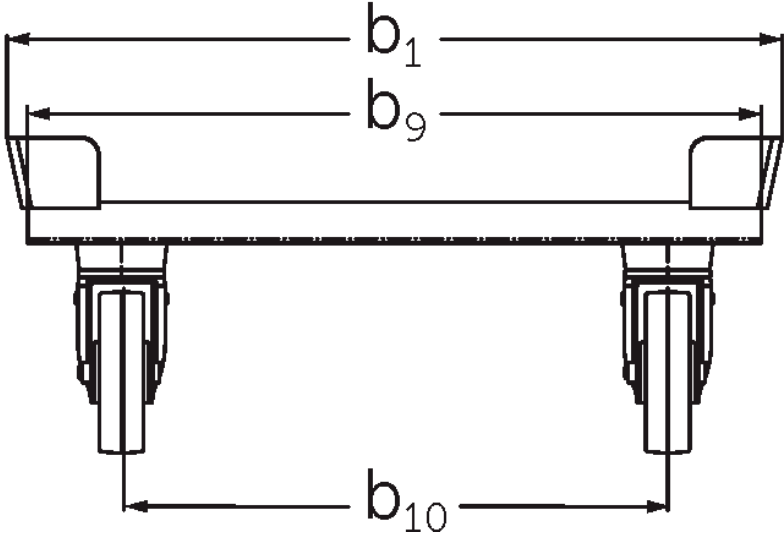
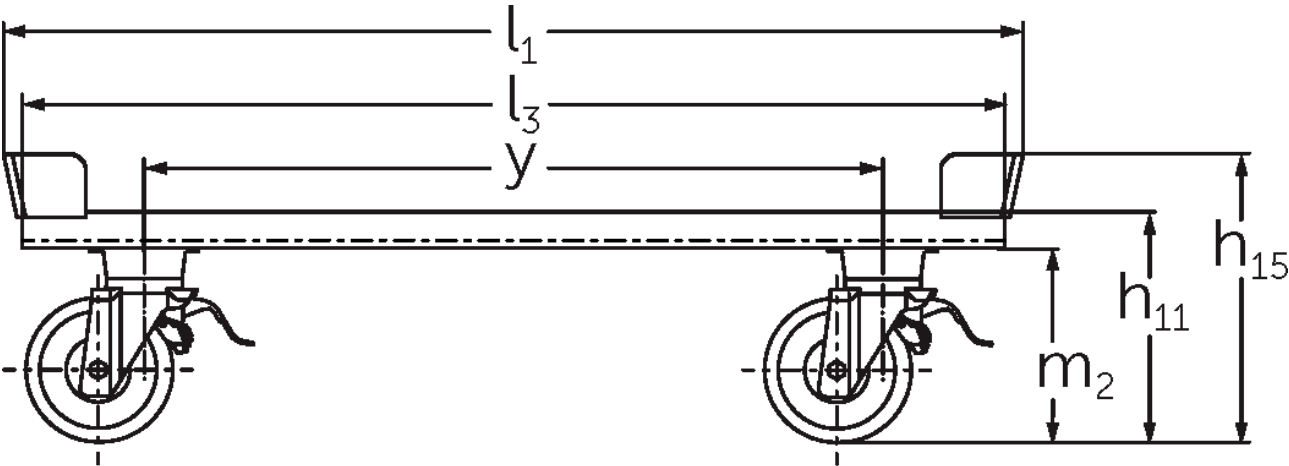


Trailer
Trolley 600 / 1.200

Trolley 600 / 1.200



Trolley 600 / 1.200



VDI table

Stand-on: 10/2020

Characteristic	1.1	Manufacturer (abbreviated description)	Jungheinrich					
	1.2	Manufacturer's type designation	RW 0,6t 1200x800	RW 0,6t 1200x1000	RW 1,2t 1200x800	RW 1,2t 1200x1000		
Characteristic	1.5	Load capacity/load	Q	kg	600		1200	
	1.9	Wheelbase	y	mm	910			
Weights	2.1	Service weight		kg	45	48	36	38
	Wheels/suspension system	3.1	Tyres	Nylon				
3.2		Tyre size, front	Ø 175 x 48					
3.3		Tyre size, rear	Ø 175 x 48					
3.5		Wheels, number front/back (x=driven)	2 / 2					
3.6		Tread width, front	b ₁₀	mm	603	803	603	803
Basic dimensions	4.2.1	Overall height	h ₁₅	mm	351			
	4.16	Loading area length	l ₃	mm	1210			
	4.17	Loading area height without load	h ₁₁	mm	280			
	4.18	Loading area width	b ₉	mm	810	1010	810	1010
	4.19	Overall length	l ₁	mm	1255			
	4.21.1	Overall width	b ₁	mm	855	1055	855	1055
	4.32	Ground clearance centre of wheelbase	m ₂	mm	235			
E-motor/ Electronics	6.6	Energy consumption according to VDI cycle		kWh/h	0			

- This data sheet according to VDI guideline 2198 only states the technical values of the standard truck. Different tyres, other masts, additional equipment etc. may result in different values.

The German production facilities in
Norderstedt, Moosburg and Landsberg
are certified.

ISO 9001
ISO 14001

Jungheinrich fork lift trucks meet
European safety requirements.



 **JUNGHEINRICH**

The Jungheinrich logo, featuring a red upward-pointing arrow integrated into the letter 'J', followed by the word 'JUNGHEINRICH' in a bold, black, sans-serif font.